



### Description

HDMI OVER FIBER CONVERTER , HDMI TO FIBER EXTENDER includes a transmitter and a receiver, which can transmit HDMI and IR signal to a remote location over single fiber cable.

HDMI TO FIBER CONVERTER support DVI/HDMI video and audio transmission at real-time, max resolution support can reach 1920\*1080 @ 60Hz, max distance 2KM (MM fiber cable)/ 100KM(SM fiber cable).

HDMI TO FIBER CONVERTER can be widely used in military command and control system, police command and control system, traffic management system, energy and electricity supply industry, government office, medical system, commercial presentation, multimedia and public utilities etc.

Product feature:

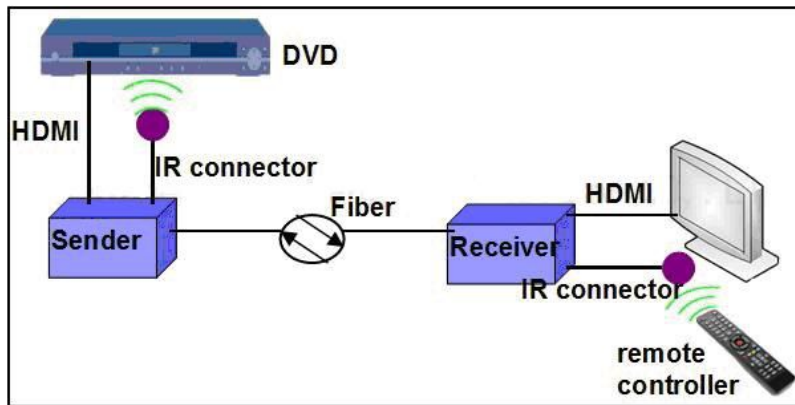
- 1, Support 1920×1080@60Hz
- 2, Max extension distance 2KM(MM fiber)/100KM(SM fiber)
- 3, Single/Duplex fiber transmission, pure hardware design, no driver needed, compatible with all operation systems, support plug and play
- 4, Support DVI/HDMI interface
- 5, IR function

Product specification:

Video	I/O connector	HDMI / DVI
	HDMI version	HDMI1.1 1.2 1.3
	HDCP	HDCP1.2
	HDMI resolution	1080p/1080i/720p/720i/576p/576i/480p/480i
	Video color format	24bit/deep color 30bit/deep color 36bit
	Audio format	DTS/HD/Dolby-tureHD/LPCM7.1/DTS/Dolby-AC3/DSD
	TMDS	0.5-1.5Vp-p(TTL)

	DDC	5Vp-p(TTL)
	Input cable length	≤20m AWG26 HDMI 1.3 standard cable
	Output cable length	≤20m AWG26 HDMI 1.3 standard cable
Optical	Connector	SM/MM SC/FC/ST
	Wave length	850nm/1310nm/1550nm
Physical	Size (L × W × H)	99mmx55mmx21mm
	Case	metal
	Color	Black
	N.W.	0.75Kg
Power	Voltage	5V DC
	sender power consumption	3W
	receiver power consumption	3W
Environment	Working temperature	-20°C-70°C
	Storage temperature	-40-85°C
	Humidity	0-95% (non-condensing)

System design:



HDMI TO FIBER CONVERTER PANEL GRAPHS:

